

Heath®/Zenith

DUALBRITE® Motion Sensing Diecast Lantern

SL-4290 Series



Meets the ENERGY STAR® guidelines when DUALBRITE® function is off.

Questions or problems? Before returning to your retailer, refer to the troubleshooting guide in this manual or call our technical service department at 1-800-858-8501 (English speaking only), 7:30 am to 4:30 pm, CST, Monday – Friday.

Features

- Light comes on when motion is detected.
- Automatically turns light off.
- Dusk Accent lighting.
- Photocell keeps the light off during daylight hours.

Package Contents

- Lantern
- Universal Mounting Bracket
- Mounting Screws (Includes extra long screw studs for recessed junction box mounting)
- Wire Connectors

Requirements

- The light control requires 120 volts AC.
- If you want to use Manual Mode, the control must be wired through a switch.
- Some electrical codes require installation by a qualified electrician.

OPERATION

Mode:	On-Time	Works: Day	Night
Test	5 Sec	x	x
Auto	1, 5, or 10 Min		x
Manual	To Dawn*		x
Accent	3,6 Hr. to Dawn		x

* resets to Auto Mode at dawn.

Note: When first turned on wait about 1 1/2 minutes for the circuitry to calibrate.

TEST

Set the ON-TIME switch on the bottom of the cover plate to TEST.

ON-TIME

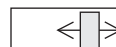


TEST 1 5 10 MIN

AUTO

Set ON-TIME switch to 1, 5, or 10 minutes.

ON-TIME



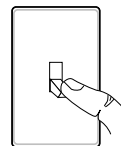
TEST 1 5 10 MIN

MANUAL MODE

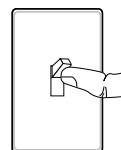
Manual mode only works at night because daylight returns the sensor to AUTO.

Flip the light switch off for one second then back on to toggle between AUTO and MANUAL MODE.

Manual mode works only with the ON-TIME switch in the 1, 5, or 10 position.



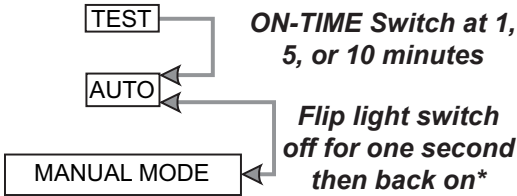
1 Second OFF then...



... back on.

Before installation, record the model number from back of fixture below. Attach receipt in case of possible warranty issues.

Mode Switching Summary



* If you get confused while switching modes, turn the power off for one minute, then back on. After the calibration time the control will be in the AUTO mode.

DUALBRITE® Dimmer Control

Light comes on half bright for selected time after dusk (Off, 3 hr., 6 hr., until dawn). Selecting OFF disables this feature. The motion sensing features will continue to work as described in this manual. If motion is sensed, the light turns on full bright for the ON-TIME (1, 5, or 10 minutes) then returns to dim mode.

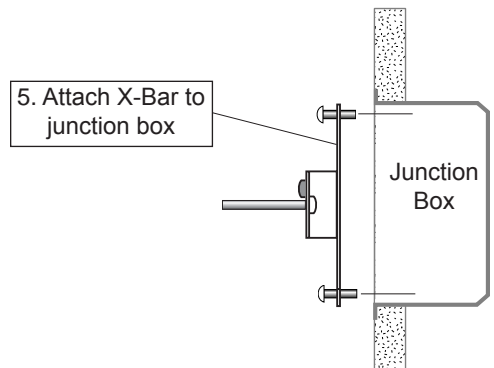
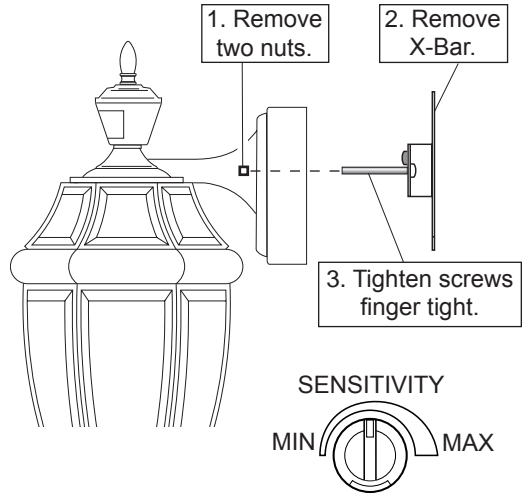
INSTALLATION

Estimated Installation Time: 30 minutes
Items needed for installation (not included):

- Phillips and flathead screwdrivers
- Pliers
- Safety glasses
- Silicone caulk
- Wire strippers/cutters
- Light bulb

For best performance, mount the fixture about 6 feet (1.8 m) above the ground.

⚠ WARNING: Turn power off at circuit breaker or fuse.

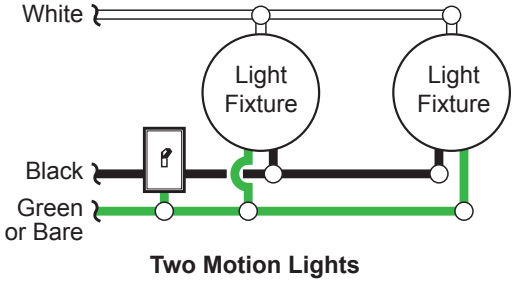
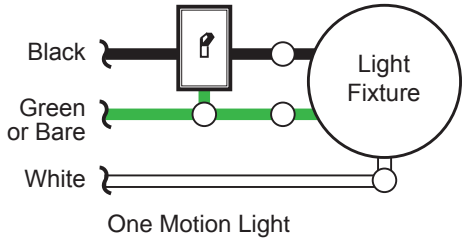


Due to the size and weight of the fixture, you may find it helpful to have an assistant hold the fixture in place while connecting the wires.

WIRING

Note: All wiring should be run in accordance with the National Electrical Code through conduit or another acceptable means. **Contact a qualified electrician if there is any question as to the suitability of the system.**

⚠ CAUTION: DO NOT connect the RED wire unless you want to control other lights from the motion sensor.

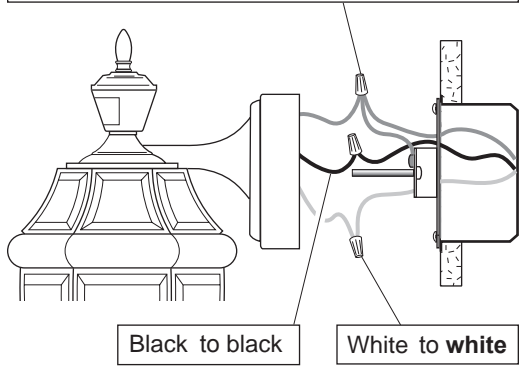


- ❑ Twist the junction box wires and the fixture wires together as shown below. Secure with wire connectors. If you have a metal junction box, you may not need the green "pigtail". If you are unsure about the grounding method, consult your local building code.

Connect the fixture wires to the wires in the junction box. Twist the wires together and secure with wire connectors.



Recommended Grounding Method
Use a green ground "pigtail" (not provided) and twist one end together with the bare fixture wire and the box ground wire. Secure with a wire connector. Secure the other end of the "pigtail" with the GND screw on the mounting plate.



OPTIONAL WIRING

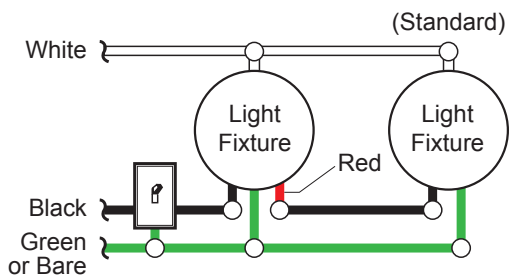
This fixture is provided with a sensor rated for 360 Watts. Since the fixture is only rated 100 Watts, 260 Watts of additional load may be controlled by this sensor.

When determining what a fixture is rated for, do not simply look at the rating on the lamp in the fixture. Look at the marking which specifies the maximum lamp wattage for which the fixture is suitable.

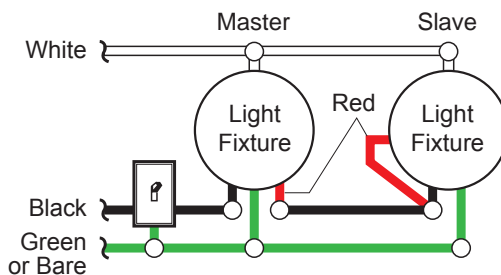
Once you have selected the fixtures to be connected and determined their maximum ratings, add these ratings up. For instance, if you have 3 fixtures rated 100 Watts, 150 Watts, and 75 Watts respectively, you have a total load of 325 Watts.

Wiring Diagram 1 – When wiring to control a standard light fixture: Strip the motion sensor's red wire and connect to the standard light's black wire. Connect all white wires together. Total fixture ratings must not exceed 360 Watts (3.0 A).

Wiring Diagram 2 – When wiring to control another motion sensing light fixture (Master / Slave): Strip the red wire in both light fixtures. Connect the red wire of the controlling (master) fixture to the red and black wires of the controlled (slave) fixture. Connect all white wires together. Total fixture ratings must not exceed 360 Watts (3.0 A).



Wiring Diagram 1



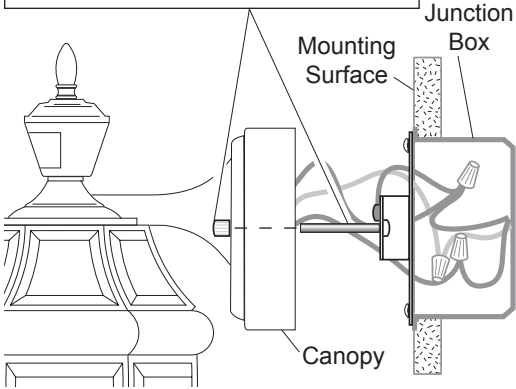
Wiring Diagram 2

It is also possible to wire two motion lights so that either fixture will turn on both lights at the same time (dual master system). It is recommended that only people with plenty of electrical experience attempt this configuration. Please call our customer service number (1-800-858-8501 - English speaking only) before attempting this wiring. If the dual master wiring is not done correctly, it can destroy both motion sensing fixtures and void your warranty.

COMPLETE THE INSTALLATION

- ☐ Stuff the wires into the junction box. Make sure none of the wires get pinched.

Slide the fixture onto the mounting screws and tighten nuts.



- ☐ Install light bulb (100 Watt maximum).
- ☐ Install the lower glass assembly (if applicable). Secure with decorative screws.
- ☐ After completing the tests, **caulk between fixture canopy and mounting surface** with silicone weather sealant.

TESTING

- ☐ Turn on the circuit breaker and light **switch**.

Note: Sensor has a 1 1/2 minute warm up period before it will detect motion. When first turned on, wait 1 1/2 minutes.

Note: Meets the ENERGY STAR® guidelines when DUALBRITE® function is off.

- ☐ Switch the on-time to TEST position and DUALBRITE® switch to the OFF position.



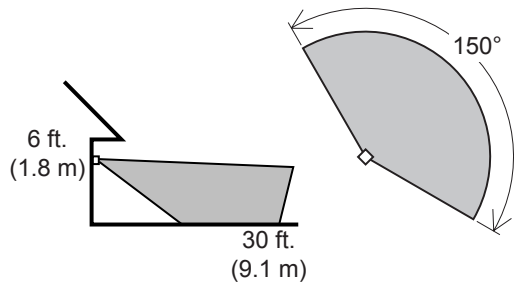
TEST 1 5 10 MIN
ON-TIME



OFF 3 6 DUSK TO
HOUR DAWN

Avoid aiming the control at:

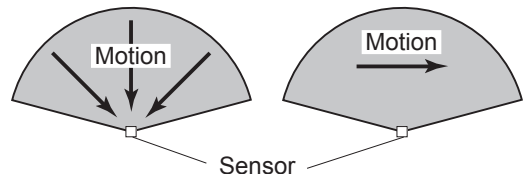
- Objects that change temperature rapidly, such as heating vents and air conditioners. These heat sources could cause false triggering.
- Areas where **pets or traffic** may trigger the control.
- Nearby large, light-colored objects reflecting light may trigger the shut-off feature. Do not point other lights at the sensor.



Maximum Range

Maximum Coverage Angle

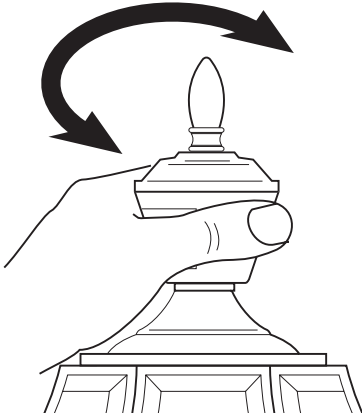
The detector is less sensitive to motion directly towards it and more sensitive to across motion.



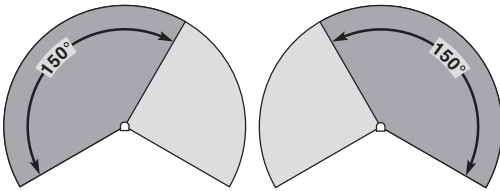
Least Sensitive

Most Sensitive

- ❑ Walk through the coverage area noting where you are when the lights turn on. Move the sensor head left or right to change the coverage area.



IMPORTANT: Grasp the sensor only as shown and turn the entire sensor. Any other method may damage the sensor. Do not force the sensor past the stop - ping points.



Rotating Sensor Head to Change Coverage Area

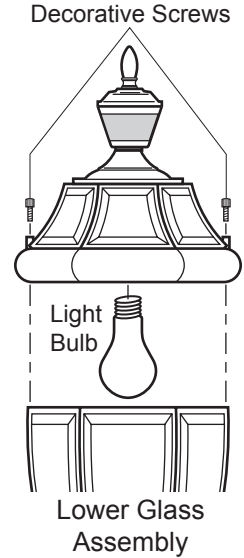
- ❑ If you need to change the sensitivity, temporarily remove the fixture and make the adjustment. Too much sensitivity may increase false triggering.
- ❑ Set the amount of TIME you want the light to stay on after motion is detected. (1, 5, or 10 minutes).
- ❑ Set the amount of time after dusk you want the lights on accent level.

BULB REPLACEMENT

If lantern has an open bottom, insert bulb through opening and screw into socket.

If lantern has a closed bottom, follow the steps below to replace bulb.

1. Place one hand under lower glass assembly and unscrew decorative screws holding lower glass assembly to top of fixture.
2. Replace bulb.
3. Reattach lower glass assembly to fixture top using decorative screws.



SPECIFICATIONS

- RangeUp to 30 ft. (9.1 m) [varies with surrounding temperature].
- Sensing Angle.....Up to 150°
- Electrical Load.... Up to 100 Watt Maximum Tungsten Incandescent
- Sensor Capacity Up to 360 Watt (3.0 A.) Maximum Tungsten Incandescent
- Power Requirements..... 120 VAC, 60 Hz
- Operating Modes..... TEST, AUTO, and MANUAL MODE
- Time Delay 1, 5, 10 minutes
- DUALBRITE® timer Off, 3, 6 hrs, Dusk-to-Dawn

TROUBLESHOOTING GUIDE

SYMPTOM	POSSIBLE CAUSE
Light will not come on.	<ol style="list-style-type: none"> 1. Light switch is turned off. 2. Bulb is loose or burned out. 3. Fuse is blown or circuit breaker is turned off. 4. Daylight turn-off is in effect (<i>recheck after dark</i>). 5. Incorrect circuit wiring, if this is a new installation.
Light comes on in daylight.	<ol style="list-style-type: none"> 1. Light control may be installed in a relatively dark location. 2. Light control is in Test (<i>Set control switch to an ON-TIME position</i>).
Light comes on for no apparent reason.	<ol style="list-style-type: none"> 1. Light control may be sensing small animals or automobile traffic (<i>Reduce sensitivity</i>).

SYMPTOM	POSSIBLE CAUSE
Light stays on continuously.	<ol style="list-style-type: none"> 1. The sensor is pointed toward a heat source like an air vent, dryer vent, or brightly painted, heat reflective surface (<i>Reduce sensitivity</i>). 2. Light control is in Manual Mode. (Switch to Auto.) 3. Light control is in DUALBRITE® mode. 4. Sensitivity is set too high. (<i>Reduce sensitivity</i>.)
Light flashes on and off.	<ol style="list-style-type: none"> 1. Light control is in the Test mode and warming up (<i>Flashing is normal under these conditions</i>). 2. Heat being reflected from other objects may be affecting the sensor. (<i>Re-aim sensor</i>.)

TECHNICAL SERVICE

Please call 1-800-858-8501 (English speaking only) for assistance before returning product to store.

If you experience a problem, follow this guide. You may also want to visit our Web site at: **www.hzsupport.com**. If the problem persists, call* for assistance at 1-800-858-8501 (English speaking only), 7:30 AM to 4:30 PM CST (M-F). You may also write* to:

HeathCo LLC

P.O. Box 90004, Bowling Green, KY 42102-9004

ATTN: Technical Service

* If contacting Technical Service, please have the following information available: Model Number, Date of Purchase, and Place of Purchase.

No Service Parts Available for this Product

FIVE YEAR LIMITED WARRANTY

This is a "Limited Warranty" which gives you specific legal rights. You may also have other rights which vary from state to state or province to province.

For a period of five years from the date of purchase, any malfunction caused by factory defective parts or workmanship will be corrected at no charge to you.

Not Covered - Repair service, adjustment and calibration due to misuse, abuse or negligence, light bulbs, batteries, and other expendable items are not covered by this warranty. Unauthorized service or modification of the product or of any furnished component will void this warranty in its entirety. This warranty does not include reimbursement for inconvenience, installation, setup time, loss of use, unauthorized service, or return shipping charges.

This warranty covers only HeathCo LLC assembled products and is not extended to other equipment and components that a customer uses in conjunction with our products.

THIS WARRANTY IS EXPRESSLY IN LIEU OF ALL OTHER WARRANTIES, EXPRESS OR IMPLIED, INCLUDING ANY WARRANTY, REPRESENTATION OR CONDITION OF MERCHANTABILITY OR THAT THE PRODUCTS ARE FIT FOR ANY PARTICULAR PURPOSE OR USE, AND SPECIFICALLY IN LIEU OF ALL SPECIAL, INDIRECT, INCIDENTAL, OR CONSEQUENTIAL DAMAGES.

REPAIR OR REPLACEMENT SHALL BE THE SOLE REMEDY OF THE CUSTOMER AND THERE SHALL BE NO LIABILITY ON THE PART OF HEATHCO LLC FOR ANY SPECIAL, INDIRECT, INCIDENTAL, OR CONSEQUENTIAL DAMAGES, INCLUDING BUT NOT LIMITED TO ANY LOSS OF BUSINESS OR PROFITS, WHETHER OR NOT FORESEEABLE. Some states or provinces do not allow the exclusion or limitation of incidental or consequential damages, so the above limitation or exclusion may not apply to you. Please keep your dated sales receipt, it is required for all warranty requests.

HeathCo LLC reserves the right to discontinue products and to change specifications at any time without incurring any obligation to incorporate new features in products previously sold.

Heath/Zenith

Farol DUALBRITE® de fundición con detector de movimiento

Serie SL-4290



Cumple con las normas ENERGY STAR® cuando la función DUALBRITE® está apagada.

¿Preguntas o problemas? Antes de devolver el producto al minorista, lea la guía de análisis de averías en este manual o llame a nuestro departamento de servicio técnico al 1-800-858-8501 (sólo se habla inglés), de 7:30 am a 4:30 pm, Hora Estándar del Centro, de Lunes a Viernes.

Características

- La luz se prende cuando se detecta movimiento.
- Apaga la luz automáticamente.
- Iluminación ornamental de baja intensidad.
- La fotocélula mantiene la luz apagada durante las horas del día.

Contenidos del Paquete

- Farol
- Soporte de montaje universal
- Tornillos de montaje (se incluyen espárragos extra largos para tornillos para montaje empotrado de la caja de empalme).
- Conectores de alambre

Requisitos

- El control de luz requiere 120 VCA.
- Para usar el Sobrecontrol Manual, conecte el control con un interruptor.
- Algunos códigos requieren instalación **por un electricista calificado.**

FUNCIONAMIENTO

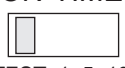
Modalidad:	A tiempo:	Trabaja: Día	Noche
Prueba	5 seg.	x	x
Autom.	1, 5, ó 10 min.		x
Manual	Hasta el amanecer*		x
Adorno	3,6 hrs, hasta el amanecer		x

*Se pone en Automático al amanecer.

Nota: Cuando lo prenda por primera vez espere 1 1/2 minutos para que el circuito se claibre.

PRUEBA

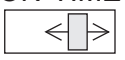
Ponga el interruptor de tiempo (ON-TIME), al fondo del detector, en la posición de prueba (TEST).



ON-TIME
TEST 1 5 10

AUTOMATICO

Ponga el interruptor de tiempo (ON-TIME) en la posición de 1, 5 ó 10 minutos.



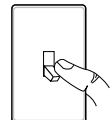
ON-TIME
TEST 1 5 10

MODO MANUAL

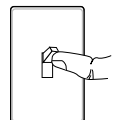
El modo manual funciona sólo por la noche porque la luz del día pone al detector en modo AUTOMATICO.

Apague el interruptor por un segundo y vuélvalo a prender para conmutar entre MODO AUTOMATICO y MANUAL.

El modo manual funciona sólo cuando el interruptor de tiempo (ON-TIME) está en la posición de 1, 5 ó 10 minutos.



1 segundo
APAGADO
luego...



...préndalo.

Resumen de las modalidades del interruptor

PRUEBA

Mueva el interruptor de tiempo (ON-TIME) a 1, 5 ó 10 minutos

AUTOM.

*Apague el interruptor por un segundo y préndalo de nuevo**

MODO MANUAL

* Si se confunde mientras cambia de fases, apague la electricidad por un minuto y préndala de nuevo. Después del tiempo de calibración el control estará en fase AUTO(MÁTICA).

Luz de Adorno (DUALBRITE®)

La luz se prende con media brillantez por el tiempo escogido después del atardecer (apagado, 3 hr., 6 hrs., hasta el amanecer). Si escoge OFF (APAGADO) deshabilita esta función. Las funciones que detectan movimiento continuarán funcionando como se describen en este manual. Si detecta movimiento, la luz se prende con todo su resplandor por el tiempo de duración o de ON-TIME (1, 5 ó 10 minutos) y luego regresa a media luz.

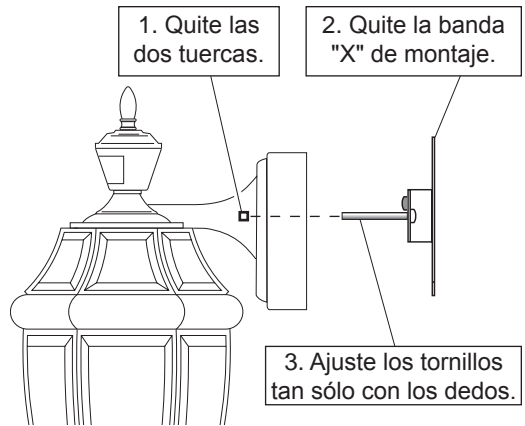
INSTALACION

Tiempo estimado de instalación: 30 minutos

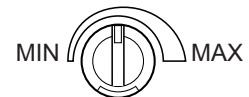
Artículos que se necesitan para la instalación (no incluidos):

- Tornillos Phillips y de cabeza plana
- Alicates
- Desforrador/cortador de alambre
- Lentes de seguridad
- Bombilla
- Calafateo de silicona

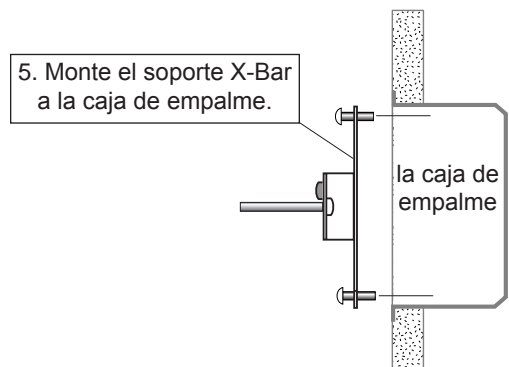
Para un mejor funcionamiento, instale el aparato a casi 1.8 m del suelo.



SENSIBILIDAD



4. Fije de nuevo el alcance de sensibilidad a la posición del medio.



Debido al tamaño y peso del aparato, será prudente que su asistente sostenga el aparato mientras se conectan los cables.

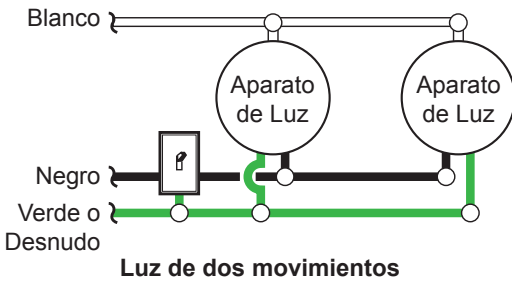
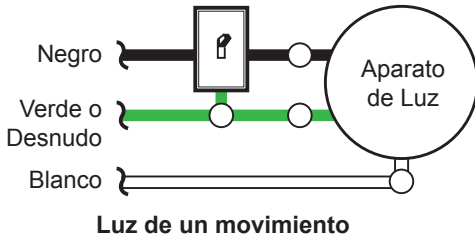


ADVERTENCIA: Desconecte la energía en el disyuntor.

CABLEADO

Nota: Todo el cableado debe realizarse de acuerdo con el Código Eléctrico Nacional usando tubería ó algún otro medio aceptable. Póngase en contacto con un electricista calificado si tiene alguna pregunta referente a la aptitud del sistema.

⚠ CUIDADO: NO conecte el cable ROJO excepto que desee controlar otras luces desde el detector de movimiento.



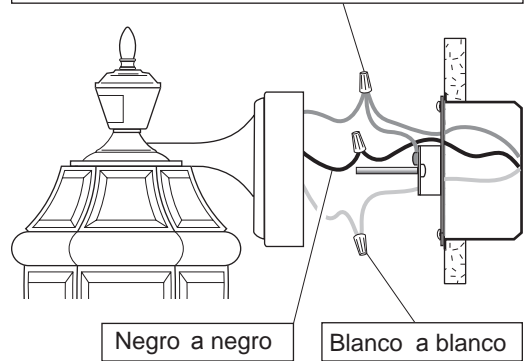
- ❑ Tuerza los cables de la caja de empalme con los cables del aparato, como se muestra abajo. Asegúrelos con conectores de cables. Si tiene una caja de empalme de metal, no necesita el "cable flexible". Si no está seguro del método de conexión a tierra, consulte con el código local de construcción.

Conecte los alambres del aparato a los alambres de la caja de empalme. Tuerza juntos los alambres y asegúrelos con conectores de alambre.



Método recomendado de conexión a tierra

Use un "cable flexible" verde de tierra (no provisto) y tuerza un extremo con el cable desnudo del aparato y con el cable de a tierra de la caja. Asegúrelos con un conector de cables. Asegure el otro extremo del "cable flexible" con el tornillo de a tierra de la placa de montaje.



CONEXION ALTERNA

Este aparato viene con un detector con una potencia de 360 Vatios. Puesto que el aparato tiene sólo una potencia de 100 Vatios, la carga adicional de 260 Vatios puede ser controlada por el detector.

Cuando desee determinar la clasificación de un aparato no vea tan sólo la potencia de la lámpara. Mire la indicación que especifique el voltaje máximo de la lámpara que el aparato puede aceptar.

Una vez que ha escogido los aparatos que se conectarán y ha determinado sus máximas potencias, súmelas. Por ejemplo, si tiene 3 aparatos de 100 , 150 y 75 Vatios respectivamente, usted tendrá un total de 325 Vatios.

Diagrama de Cableado 1 – Cuando prepare una conexión para controlar un aparato de luz estándar: Pele el alambre rojo del detector de movimiento y conéctelo al alambre negro de la luz estándar. Conecte todos los alambres blancos. La capacidad total no debe exceder los 360 Vatios (3.0 A).

Diagrama de Cableado 2 – Cuando prepare una conexión para controlar otro aparato de luz detector de movimiento (Maestra / Esclava): Pele el alambre rojo en ambos aparatos de luz. Conecte el alambre rojo del aparato controlador (maestro) a los alambres rojo y negro del aparato controlado (esclavo). Conecte todos los alambres blancos. La capacidad total no debe exceder los 360 Vatios (3.0 A).

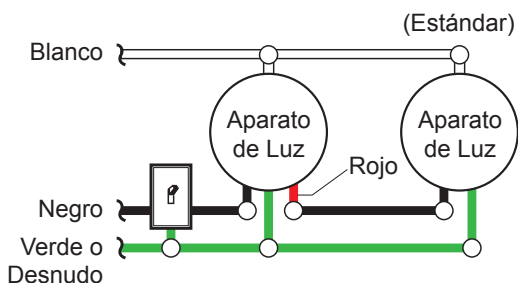


Diagrama de Cableado 1

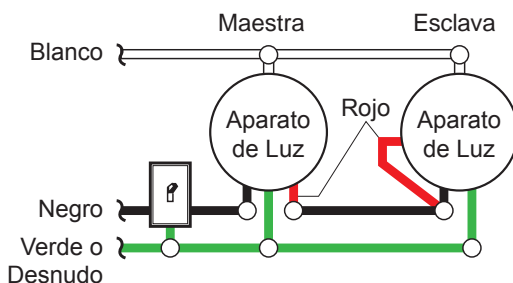
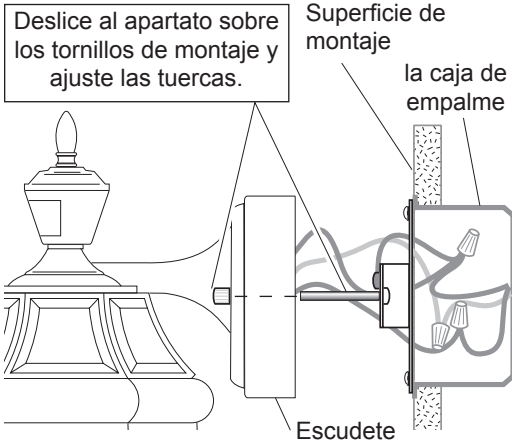


Diagrama de Cableado 2

Es también posible conectar dos luces detectoras de movimiento de manera que cada aparato prenda ambas luces al mismo tiempo (sistema de doble maestro). Se recomienda que sólo personas con amplios conocimientos de electricidad conecten este tipo de configuración. Por favor comuníquese con nuestro departamento de asistencia al cliente (1-800-858-8501 - sólo para hablar en inglés) antes hacer este tipo de conexión. **La conexión inadecuada del cableado de doble maestro podría dañar ambas luces de movimiento y anular la garantía.**

COMPLETE LA INSTALACION

- ❑ Meta los cables en la caja de empalme. Asegúrese que los cables que no estén pinchados.



- ❑ Instale la bombilla (100 Vatios máximo).
- ❑ Instale el conjunto del vidrio inferior (si es aplicable). Asegúrela con tornillos decorativos.
- ❑ Después de completar las pruebas, calafatee entre el escudete del aparato y la **superficie de montaje** con un sellador de silicona contra la intemperie.

PRUEBA

- ❑ Prenda el cortacircuitos y el interruptor de luz.

Nota: El detector tiene un período de cerca de 1 1/2 minutos de calentamiento antes de detectar movimiento. Cuando lo prenda por primera vez, espere 1 1/2 minutos.

Nota: Cumple con las normas ENERGY STAR® cuando la función DUALBRITE® está apagada.

- ❑ Fije el de adorno (DUALBRITE®) a apagado (OFF) y el control de ON-TIME a la posición de prueba (TEST).



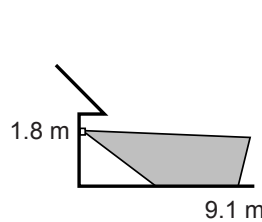
TEST 1 5 10 MIN
ON-TIME



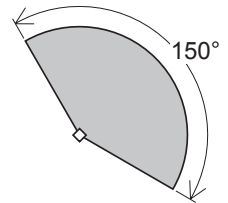
OFF 3 6 DUSK TO
HOUR DAWN

Evite apuntar el control hacia:

- Objetos que cambien rápidamente de temperatura tales como ductos de calefacción y acondicionadores de aire. Estas fuentes de calor pueden causar falsas alarmas.
- Areas donde animales domésticos o el **tráfico** puedan activar el control.
- Los objetos grandes cercanos y de colores resplandecientes que reflejan la luz del día pueden hacer que el detector se apague. No apunte otras luces hacia el detector.

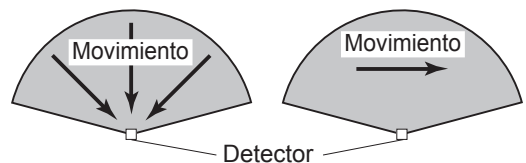


Alcance Máximo



Angulo de Cobertura Máxima

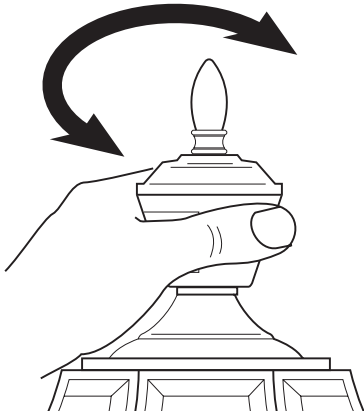
El detector es menos sensible al movimiento que se dirige directamente hacia él.



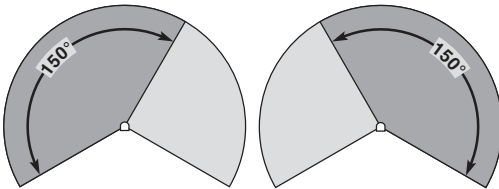
Lo menos sensible

Lo más sensible

- ❑ Camine por el área de protección dándose cuenta dónde está cuando la luz se prende. Mueva la cabeza del detector hacia la izquierda o derecha para cambiar el área de protección.



IMPORTANTE: Agarre el detector sólo como se muestra y gire todo el detector. Cualquier otro método puede dañar el detector. No fuerce al detector más allá de sus puntos tope.



Giro de la cabeza del detector para cambiar el área de cobertura

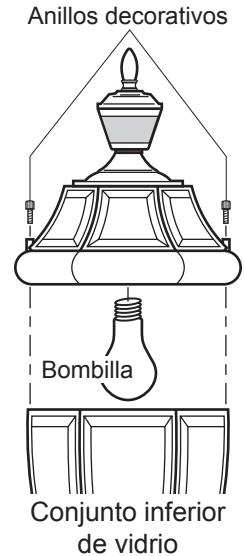
- ❑ Si necesita cambiar la sensibilidad, quite el aparato por un rato y haga el ajuste. Demasiada sensibilidad puede aumentar la falsa alarma.
- ❑ Fije el período de tiempo (ON-TIME) que la luz debe quedarse prendida después de detectar movimiento (1, 5 ó 10 minutos).
- ❑ Determine la cantidad de tiempo después del anochar que usted quiere que la luz permanezca al nivel de acento.

REEMPLAZO DE LA BOMBILLA

Si el farol tiene un fondo abierto, inserte la bombilla por la apertura y atorníllela en el enchufe.

Si el farol tiene un fondo cerrado, siga los siguientes pasos para cambiar la bombilla.

1. Ponga una mano debajo del conjunto inferior de vidrio y quite los tornillos decorativos que sostienen el conjunto inferior de vidrio a la parte superior del aparato.
2. Reemplace la bombilla.
3. Fije de nuevo el conjunto inferior de vidrio a la parte superior del aparato con los tornillos decorativos.



ESPECIFICACIONES

- Alcance Hasta 9.1 m (varía con la temperatura del medio ambiente)
- Angulo de detección Hasta 150°
- Carga Eléctrica Hasta un máximo de 100 Vatios de tungsteno incandescente
- Capacidad del Detector. Hasta un máximo de 360 Vatios (3.0 A.) de tungsteno incandescente
- Requisitos de Energía 120 VCA, 60 Hz
- Fases de Operación PRUEBA, AUTOMATICO y MODO MANUAL
- Retardo de Tiempo 1, 5, 10 minutos Temporizador
- DUALBRITE® Apagado, 3, 6 horas, del atardecer al amanecer

GUIA DE INVESTIGACION DE AVERIAS

SINTOMA	POSIBLE CAUSA
La luz no se enciende.	<ol style="list-style-type: none"> 1. El interruptor de luz está apagado. 2. El faro está flojo o fundido. 3. El fusible está quemado o el cortacircuitos está apagado. 4. La desconexión de luz del día está en efecto. (<i>Compruébelo al anochecer</i>). 5. Alambrado incorrecto, si ésta es una nueva instalación.
La luz se prende durante el día.	<ol style="list-style-type: none"> 1. El control de luz puede estar instalado en un lugar relativamente oscuro. 2. El control de luz está en fase de Prueba. (<i>Fije el interruptor del control a la posición de TIEMPO</i>).
La luz se prende sin ninguna razón aparente.	<ol style="list-style-type: none"> 1. El control de luz puede estar detectando animales pequeños o el tránsito de automóviles (<i>Reduzca la sensibilidad</i>).

SINTOMA	POSIBLE CAUSA
La luz se queda prendida continuamente.	<ol style="list-style-type: none"> 1. El sensor puede detectar fuentes de calor, como ductos de calefacción y de aire acondicionado, o superficies resplandecientes que reflejan la luz (<i>Reduzca la sensibilidad</i>). 2. El control de luz está en fase Manual (<i>Cámbiela a Auto</i>). 3. El control de luz está en fase DUALBRITE®. 4. La Sensibilidad es demasiado alta. (<i>Reduzca la sensibilidad</i>).
La luz se prende y se apaga.	<ol style="list-style-type: none"> 1. El control de luz está en fase de Prueba y calentándose (<i>El prenderse y apagarse es normal bajo estas condiciones. Apague el Aumento</i>). 2. El calor que se refleja de otros objetos pueden estar afectando al detector. (<i>Reposicione el detector</i>).

SERVICIO TÉCNICO

Favor de llamar al 1-800-858-8501 (sólo para hablar en inglés) para pedir ayuda antes de devolver el producto a la tienda.

Si tiene algún problema, siga esta guía. Usted puede también visitar nuestro sitio Web: **www.hzsupport.com**. Si el problema continúa, llame al 1-800-858-8501 (sólo para hablar en inglés), de 7:30 AM a 4:30 PM CST (L-V). Usted puede también escribir a:

HeathCo LLC

P.O. Box 90004, Bowling Green, KY 42102-9004

ATTN: Technical Service (Servicio Técnico)

* Si se llama al Servicio Técnico, por favor tener lista la siguiente información: Número de Modelo, Fecha de compra y Lugar de compra.

No hay piezas de servicio disponibles para este producto.

GARANTÍA LIMITADA A 5 AÑOS

Esta es una "Garantía Limitada" que le da a Ud. derechos legales específicos. Usted puede también tener otros derechos que varían de estado a estado o de provincia a provincia.

Por un período de 5 años desde la fecha de compra, cualquier mal funcionamiento ocasionado por partes defectuosas de fábrica o mano de obra será corregido sin cargo para Ud.

No cubierto - Servicio de reparación, ajuste y calibración debido al mal uso, abuso o negligencia, bombillas, baterías, u otras partes fungibles no están cubiertas por esta garantía. Los Servicios no autorizados o modificaciones del producto o de cualquier componente que se provee invalidarán esta garantía en su totalidad. Esta garantía no incluye reembolso por inconveniencia, instalación, tiempo de instalación, pérdida de uso, servicio no autorizado, o costos de transporte de retorno.

Esta garantía cubre solamente los productos ensamblados por HeathCo LLC y no se extiende a otros equipos o componentes que el consumidor usa junto con nuestros productos.

ESTA GARANTÍA ESTÁ EXPRESAMENTE EN LUGAR DE OTRAS GARANTÍAS, EXPRESADAS O SOBREENTENDIDAS, INCLUYENDO CUALQUIER GARANTÍA, REPRESENTACIÓN O CONDICIÓN DE COMERCIABILIDAD O QUE LOS PRODUCTOS SE ADAPTEN PARA CUALQUIER PROPÓSITO O USO EN PARTICULAR, Y ESPECIFICAMENTE EN LUGAR DE TODOS LOS DAÑOS ESPECIALES, INDIRECTOS, INCIDENTALES Y CONSECUENTES.

LA REPARACIÓN O EL REEMPLAZO DEBERÍA SER LA ÚNICA SOLUCIÓN DEL CLIENTE Y NO HABRÁ RESPONSABILIDAD POR PARTE DE HEATHCO LLC POR CUALQUIER DAÑO ESPECIAL, INDIRECTO, INCIDENTAL O CONSECUENTE, INCLUIDOS PERONOLIMITADOSACUALQUIERPÉRDIDADENEGOCIO O GANACIAS SEAN O NO PREVISIBLES. Algunos estados o provincias no permiten la exclusión o limitación de daños incidentales o consecuentes, de modo que la limitación o exclusión arriba indicada puede que no se aplique a Ud. Por favor guarde su recibo de venta fechado; se lo requiere para cualquier solicitud de garantía.

HeathCo LLC se reserva el derecho de discontinuar productos y de cambiar especificaciones a cualquier momento sin incurrir en ninguna obligación de tener que incorporar nuevas características en los productos vendidos con anterioridad.

Heath®/Zenith

Lanterne moulée sous pression **DUALBRITE^{MD}** à détecteur de mouvement

Série SL-4290



Conforme aux exigences ENERGY STAR^{MD} lorsque la fonction DUALBRITE^{MD} est désactivée.

Des questions ou problèmes? Avant de vous rendre chez le détaillant, consultez la section Dépannage de ce guide ou communiquez avec le service technique au 1 800 858-8501 (en anglais seulement) du lundi au vendredi entre 7 h 30 et 16 h 30, HNC,.

Caractéristiques

- Allume l'éclairage lorsqu'un mouvement est détecté.
- Éteint automatiquement l'éclairage.
- Éclairage d'accentuation de crépuscule.
- Photocellule qui maintient l'éclairage éteint pendant la période de lumière du jour.

Contenu de l'emballage

- Lanterne
- Support de montage universel
- Vis de montage (y compris des vis très longues pour l'installation dans des boîtes de raccordement encastrées)
- Serre-fils

Exigences

- La commande d'éclairage nécessite une alimentation 120 volts c.a.
- Si vous désirez utiliser la priorité manuelle, la commande doit être branchée à un interrupteur.
- **Certains codes de bâtiment locaux peuvent exiger que l'installation soit faite par un électricien qualifié.**

FONCTIONNEMENT

Mode:	Temps en circuit:	En fonction: Jour Nuit
Essai	5 secondes	x x
Auto	1, 5, ou 10 min.	x
Manuel	Auchoix, amanecer*	x
Accentua - tion	3,6 h jusqu'à l'aurore	x

* Revient au mode automatique au lever du soleil.

Note: Après mise en circuit, attendre environ 1 1/2 minute pour que l'étalonnage du circuit soit complété.

ESSAI

Amener en position d'essai (TEST) l'interrupteur de temps en circuit (ON-TIME) du bas du détecteur.

AUTOMATIQUE

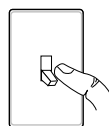
Amener l'interrupteur de temps en circuit (ON-TIME) à la position correspondant à 1, 5 ou 10 minutes.

PRIORITÉ MANUELLE

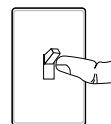
Le mode manuel ne fonctionne que la nuit parce que la lumière du jour remet le capteur en mode AUTO.

Mettre l'interrupteur hors circuit pendant une seconde, plus en circuit pour alterner entre les modes AUTO et MANUEL.

Le mode manuel ne fonctionne que lorsque l'interrupteur ON-TIME est aux positions 1, 5 ou 10.



hors circuit pendant 1 seconde, puis ...



... à nouveau en circuit

Résumé du mode de commutation

TEST → **Placer l'interrupteur ON-TIME à 1, 5 ou 10 minutes**

AUTO → **Mettre l'interrupteur hors circuit pendant une seconde, puis le remettre en circuit**

PRIORITÉ MANUELLE →

* Si vous ne savez plus dans quel mode se trouve l'appareil, couper l'alimentation pendant une minute puis la rétablir. Après le temps d'étalonnage, la commande reviendra au mode AUTO.

Minuterie **DUALBRITE^{MD}**

La lumière s'allume à mi-intensité pour le temps choisi après le crépuscule [Off (hors circuit) 3h, 6h, jusqu'à l'aurore]. Pour désactiver cette fonction, placez le commutateur à OFF. La fonction de détection de mouvement continuera toutefois de fonctionner tel que décrit dans ce guide. Si un mouvement est détecté, la lumière s'allume à pleine intensité pour le temps (ON-TIME) choisi (1, 5 ou 10 minutes), puis revient en mode faible intensité.

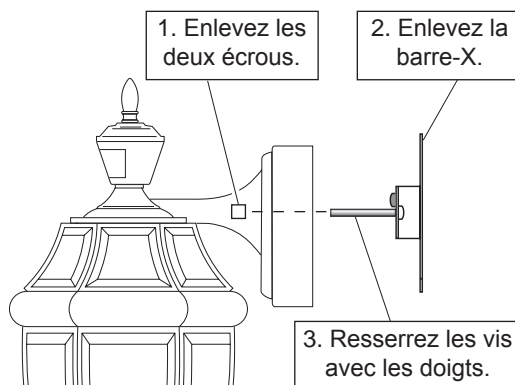
INSTALLATION

Temps estimatif d'installation : 30 minutes.
Articles nécessaires à l'installation (non fournis) :

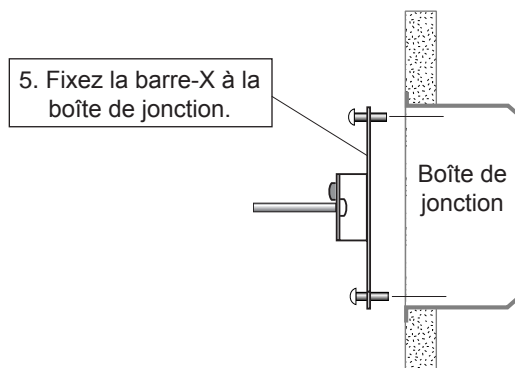
- Tournevis à lame droite et cruciforme (Phillips)
- Pincés
- Pincés à dénuder ou à couper
- Lunettes de protection
- Lampe électrique
- Produit de calfeutrage à base de silicone

Pour un rendement optimal, montez le luminaire à environ 1,8 m au-dessus du sol.

⚠ MISE EN GARDE : Coupez
l'alimentation au disjoncteur ou au fusible.



4. Réglez la sensibilité à mi-position à l'arrière du luminaire.

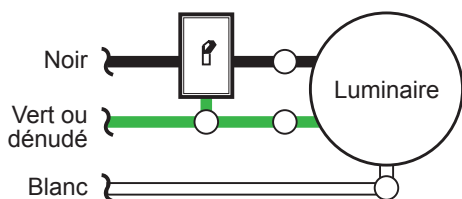


À cause de la taille et du poids du luminaire, vous pourriez trouver utile de vous aider par une personne qui tiendra le luminaire pendant que vous raccordez les fils.

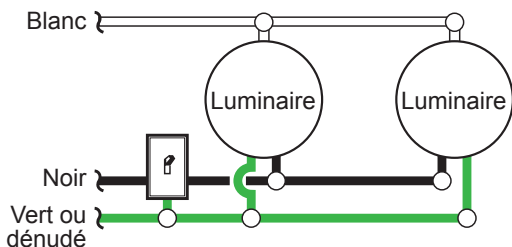
CÂBLAGE

Note : Tous les fils doivent être installés dans un conduit ou un autre dispositif acceptable, conformément au Code national de l'électricité. **Contactez un électricien qualifié pour toute question relative à la pertinence de l'installation.**

⚠ AVERTISSEMENT: NE PAS raccorder le fil ROUGE à moins que vous ne vouliez commander d'autres luminaires au moyen du détecteur de mouvement.



Une lanterne à détecteur de mouvement



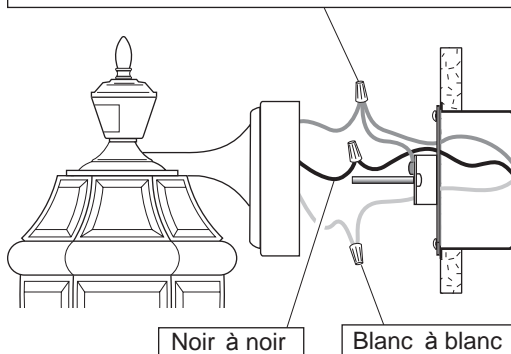
Deux lanternes à détecteur de mouvement

- ❑ Torsadez ensemble les fils de la boîte de jonction et ceux du luminaire comme indiqué ci-dessous. Utilisez des serre-fils. Si la boîte de jonction est en métal, vous pourriez nécessiter une «queue de cochon» verte. Si vous avez des doutes sur la méthode de mise à la terre, consultez votre code du bâtiment.

Branchez les fils du luminaire aux fils dans la boîte de raccordement. Torsadez ces fils ensemble, puis ajoutez-y un connecteur de fils.



Méthode de mise à la terre recommandée
Utilisez une «queue de cochon» verte (non fournie) et torsadez-en une extrémité avec le fil nu du luminaire et le fil de terre de la boîte de jonction. Utilisez un serre-fils. Fixez l'autre extrémité de la «queue de cochon» avec la vis de terre (GND) sur la plaque de montage.



CÂBLAGE FACULTATIF

Ce luminaire est pourvu d'un capteur de 360 W. Puisque le luminaire a une intensité de seulement 100 W, un luminaire additionnel de 260 W peut être contrôlé par ce capteur.

Lorsque vous déterminez l'intensité que peut supporter un luminaire, ne vous contentez pas de simplement lire l'intensité indiquée sur l'ampoule. Recherchez l'étiquette indiquant le wattage d'ampoule maximal de l'appareil.

Une fois que vous avez choisi les luminaires à raccorder et déterminé leur intensité maximale respective, additionnez les intensités. Par exemple, si vous avez 3 appareils dont l'intensité est 100 Watts, 150 Watts et 75 Watts respectivement, la charge totale est 325 Watts.

Diagramme de câblage 1 – Câblage d'un luminaire standard : Dénudez le fil rouge du détecteur de mouvement et raccordez-le au fil noir du luminaire standard. Branchez tous les fils blancs ensemble. L'intensité maximale ne doit pas dépasser 360 Watts (3,0 A).

Diagramme de câblage 2 – Câblage d'un autre luminaire à détecteur de mouvement (Maître / Satellite) : Dénudez le fil rouge des deux luminaires. Branchez le fil rouge du luminaire de commande (maître) aux fils rouge et noir du luminaire commandé (satellite). Branchez tous les fils blancs ensemble. L'intensité maximale ne doit pas dépasser 360 Watts (3,0 A).

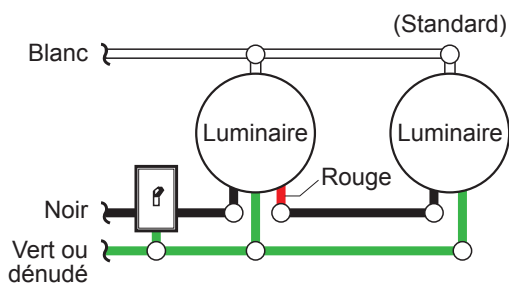


Diagramme de câblage 1

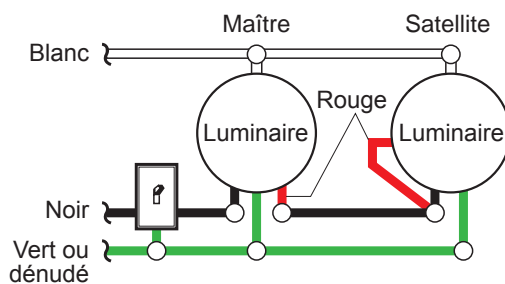
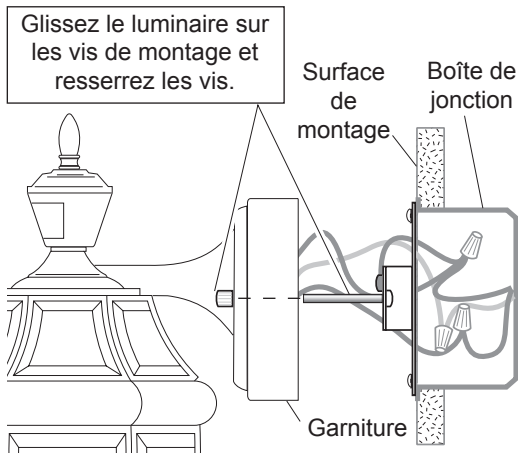


Diagramme de câblage 2

Il est aussi possible de raccorder deux luminaires à détection de mouvement de sorte que l'un ou l'autre des appareils allume simultanément les deux luminaires (double circuit maître). Il est recommandé que seuls des gens possédant une grande expérience de l'électricité tentent de réaliser cette configuration. Avant d'entreprendre ce type de câblage, veuillez communiquer avec notre Service à la clientèle au 1 800 858-8501 (service en anglais seulement). **Si le câblage d'une installation à deux luminaires principaux n'est pas exécuté correctement, il pourrait entraîner la destruction des deux luminaires à détection de mouvement et annuler votre garantie.** Nous nous excusons de ne pas pouvoir répondre à vos questions en français par téléphone.

COMPLÉTEZ L'INSTALLATION

- ❑ Insérez les fils dans la boîte de jonction. Assurez-vous qu'aucun fil n'est pincé.



- ❑ Installation d'une ampoule (maximum 100 W).
- ❑ Installez la verrière inférieure (le cas échéant). Fixez avec les vis décoratives.
- ❑ Après avoir réalisé les essais, **appliquez** un produit d'étanchéité à base de silicone entre la garniture et le mur.

ESSAIS

- ❑ Mettre en circuit le disjoncteur et l'interrupteur d'éclairage.

Note: Le capteur doit se réchauffer 1 1/2 minute avant de pouvoir détecter le mouvement. Lorsque l'appareil est mis en circuit, attendre 1 1/2 minute.

Note : Conforme aux exigences ENERGY STAR^{MD} lorsque la fonction DUALBRITE^{MD} est désactivée.

- ❑ Mettez l'interrupteur de temps en circuit à la position TEST et l'interrupteur DUALBRITE^{MD} à la position OFF.



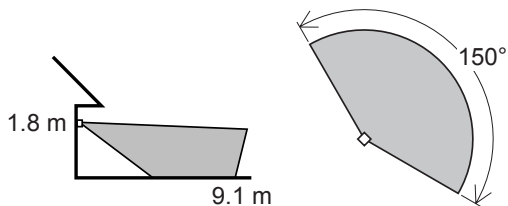
TEST 1 5 10 MIN
ON-TIME



OFF 3 6 DUSK TO
HOUR DAWN

Éviter de pointer l'appareil:

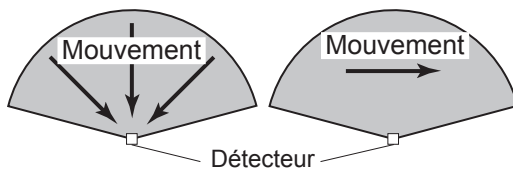
- Sur **des flaques d'eau ou des objets** dont la température change rapidement. Ces sources peuvent causer des déclenchements intempestifs.
- Vers **des zones où des animaux** ou la circulation risquent de déclencher l'appareil.
- Sur des objets avoisinants de grande dimension et de couleur claire. La réflexion pourrait déclencher la fonction de mise hors circuit à la lumière du jour. Ne pas pointer d'autres sources lumineuses sur la commande d'éclairage.



Portée maximale

*Angle de
couverture maximale*

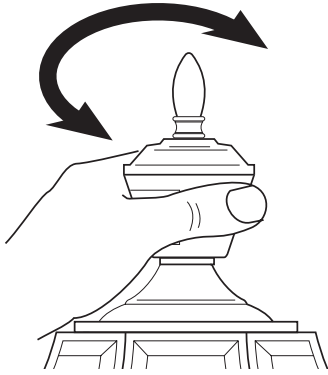
Le détecteur est moins sensible au mouvement dans sa direction.



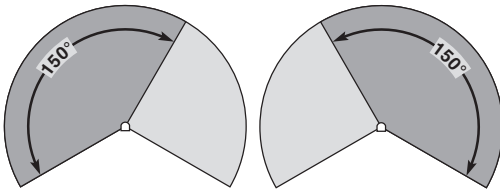
Le moins sensible

Le plus sensible

- ☐ Marchez dans la zone de couverture et notez l'endroit où vous êtes lorsque l'éclairage s'allume. Déplacer la tête du détecteur vers la gauche, le droit ou le côté pour modifier la zone de couverture.



IMPORTANT : Agrippez le détecteur comme indiqué seulement et faites-le tourner d'un seul bloc. Toute autre méthode pourrait endommager le **détecteur. Ne tentez pas de tourner le détecteur** passé les points d'arrêt.



Rotation du capteur pour modifier la zone de couverture

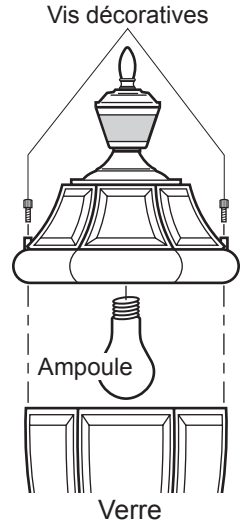
- ☐ Si vous désirez changer la sensibilité temporairement, enlevez le luminaire et faites le réglage nécessaire. Une trop grande sensibilité peut augmenter les déclenchements intempestifs.
- ☐ Réglez, à votre goût, le ON-TIME de fonctionnement du luminaire après détection du mouvement (1, 5 ou 10 minutes).
- ☐ Réglez le temps après le crépuscule où vous voulez que l'éclairage d'accentuation s'allume.

REEMPLACEMENT DE L'AMPOULE

Si le luminaire possède une ouverture au bas, insérez l'ampoule par cette ouverture et vissez-la en place.

Sinon, suivez ces directives pour installer l'ampoule.

1. Placez une main sous le verre de la lanterne, puis dévissez les vis décoratives qui fixent le verre à la partie supérieure de la lanterne.
2. Remplacez l'ampoule.
3. Remettez le verre en place et fixe-le au moyen des vis décoratives.



FICHE TECHNIQUE

Portée Jusqu'à 9,1 m (varie selon la température ambiante)
Angle de détection jusqu'à 150°
Charge électrique Jusqu'à 100 Watts maximum Tungstène à incandescence
Capacité du détecteur	... Jusqu'à 360 W (3,0 A) maximum Tungstène à incandescence
Courant requis 120 V c.a., 60 Hz.
Modes de fonctionnement Essai, automatique et priorité manuelle
Minuterie 1, 5 ou 10 minutes
DUALBRITE ^{MD} Fermé 3, 6 heures, crépuscule-aurore

GUIDE DE DÉPANNAGE

SYMPTÔME	CAUSE POSSIBLE
L'éclairage s'allume pas.	<ol style="list-style-type: none"> 1. L'interrupteur d'éclairage est en position hors circuit. 2. L'ampoule au quartz est desserrée ou grillée. 3. Le fusible du circuit a sauté ou le disjoncteur est en position hors circuit. 4. La fonction de mise hors circuit à la lumière du jour est engagée. <i>(Revérifier quand il fait nuit).</i> 5. Mauvais câblage, s'il s'agit d'une nouvelle installation.
L'éclairage s'allume de jour.	<ol style="list-style-type: none"> 1. La commande d'éclairage est installée dans un endroit relativement sombre. 2. La commande d'éclairage est en mode essai. <i>(Placer l'interrupteur ON-TIME à 1, 5 ou 10 minutes).</i>
L'éclairage s'allume sans raison apparente.	<ol style="list-style-type: none"> 1. La commande peut détecter de petits animaux ou la circulation automobile <i>(Réduisez la portée).</i>

SYMPTÔME	CAUSE POSSIBLE
L'éclairage reste allumé continuellement.	<ol style="list-style-type: none"> 1. Le capteur peut percevoir une source de chaleur comme une sortie d'air, un événement de sécheuse ou une surface de couleur claire réfléchissant la chaleur <i>(Réduisez la portée).</i> 2. La commande d'éclairage est en mode Manuel <i>(faites-la passer au mode Auto).</i> 3. La commande d'éclairage est en mode DUALBRITE^{MD}. 4. Le réglage de portée est trop élevé. <i>(Réduisez la portée).</i>
L'éclairage clignote.	<ol style="list-style-type: none"> 1. La commande d'éclairage est en mode essai et se réchauffe. <i>(Le clignotement est normal dans ces deux cas).</i> 2. La chaleur qui est réfléchiée par d'autres objets peut affecter la commande d'éclairage. <i>(Réorienter le détecteur).</i>

SERVICE TECHNIQUE

Veillez faire le 1 800 858-8501 (service en anglais seulement) pour obtenir de l'aide avant de retourner l'article au magasin.

En cas de problème, suivez ce guide. Vous pouvez aussi visiter notre site Web à **www.hzsupport.com**. Si le problème persiste, composez* le 1 800 858-8501 (service en anglais seulement), entre 7 h 30 et 16 h 30, HNC, du lundi au vendredi. Vous pouvez aussi écrire au :

HeathCo LLC

P.O. Box 90004, Bowling Green, KY 42102-9004

ATTN: Technical Service (Service technique)

* Lors d'un appel au service technique, veuillez avoir les renseignements suivants à portée de main : numéro du modèle, date d'achat et endroit de l'achat.

Aucune pièce de rechange n'est disponible pour ce produit.

GARANTIE LIMITÉE DE 5 ANS

Il s'agit d'une « Garantie limitée » qui vous confère des droits juridiques spécifiques. Vous pouvez également jouir d'autres droits, variables d'une province à l'autre.

Pendant une période de 5 ans à compter de la date d'achat, toute anomalie de fonctionnement imputable à un vice de matériau ou de main-d'oeuvre sera corrigée gratuitement.

Exclusions de la garantie - Réparations, réglage et calibrage dus à une mauvaise utilisation, un mauvais traitement ou à la négligence. Les ampoules, les piles et des autres articles non durables ne sont pas couverts par cette garantie. Le service non autorisé ou la modification du produit ou d'un ou l'autre de ses composants fournis invalidera totalement la présente garantie. Cette garantie n'inclut pas le remboursement pour le dérangement, l'installation, le réglage, la perte d'utilisation, le service non autorisé ou les frais d'expédition pour le renvoi de la marchandise.

La garantie ne couvre que les produits assemblés HeathCo LLC et ne s'étend pas aux autres équipements et composants que le client pourrait utiliser conjointement avec nos produits.

CETTE GARANTIE TIEN EXPRESSÉMENT LIEU DE TOUTES AUTRES GARANTIES, EXPLICITES OU IMPLICITES, Y COMPRIS DE TOUTE GARANTIE DE REPRÉSENTATION OU DE CONDITION DE CONVENANCE À LA COMMERCIALISATION OU À L'EFFET QUE LES PRODUITS CONVIENNENT À UN BUT OU À UNE UTILISATION PARTICULIÈRE, ET SPÉCIFIQUEMENT DE TOUS DOMMAGES SPÉCIAUX, DIRECTS, INDIRECTS OU SECONDAIRES.

LE REMPLACEMENT OU LA RÉPARATION CONSTITUENT LE SEUL RECOURS DU CLIENT ET HEATHCO LLC NE POURRA ÊTRE TENUE RESPONSABLE DE TOUS DOMMAGES SPÉCIAUX, DIRECTS, INDIRECTS OU SECONDAIRES, Y COMPRIS, SANS S'Y LIMITER, LES PERTES COMMERCIALES ET PERTES DE PROFIT, QU'ELLES SOIENT PRÉVISIBLES OU NON. Certaines provinces n'autorisent pas l'exclusion ou la limitation des dommages indirects ou secondaires, et la limitation ou l'exclusion ci-dessus pourrait ne pas s'appliquer à vous. Veuillez conserver le reçu portant la date d'achat; vous en aurez besoin pour toutes vos demandes liées à la garantie.

HeathCo LLC se réserve le droit d'abandonner tout produit et d'en changer les spécifications, en tout temps et sans contracter quelque obligation que ce soit quant à l'incorporation de nouvelles caractéristiques aux produits déjà vendus.