

DOOR CHIME

INSTALLATION OF BRACKET FOR IN-SWING DOORS

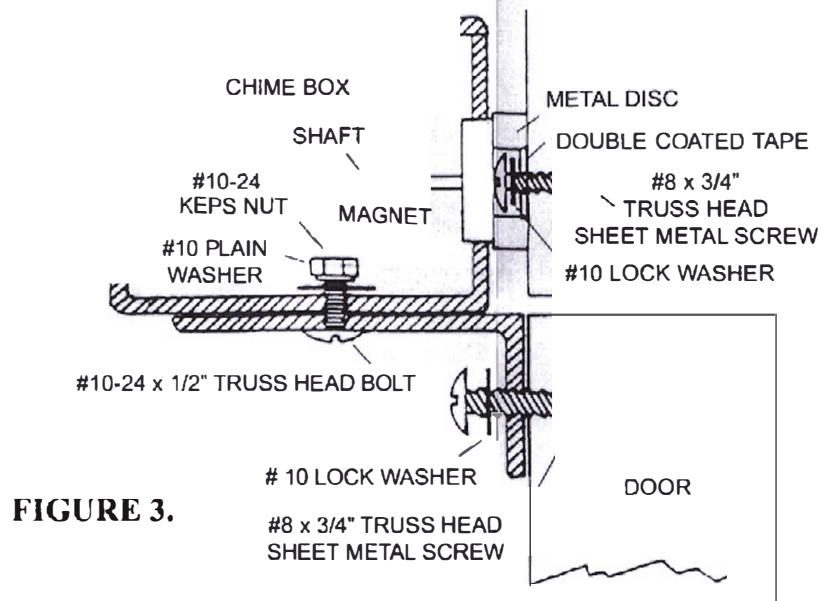


FIGURE 3.

DRILL BIT INCLUDED: USE WITH ALL SCREWS (EXCEPT LID SCREWS).

ABOVE ILLUSTRATION SHOWS TYPE OF INSTALLATION FOR IN-SWING DOORS

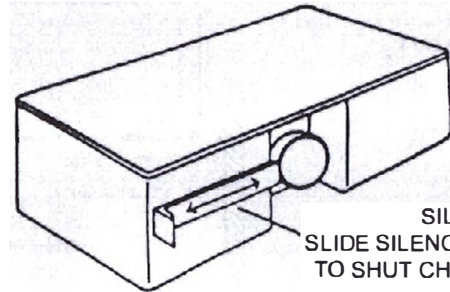
1. Measure from frame side (where door opens) 2 inches in, along top edge of door and mark.
2. Place edge of bracket on mark and at same time, top of bracket must be flush with top of door. (see figure 3)
3. Use pencil and mark around mounting slots. Remove bracket.
4. Drill thru center of each slot mark. -By drilling thru center of slot marks, this will allow you to adjust bracket up or down to align with top edge of door.
5. Using 2-#8 x 3/4 truss head sheet metal screws and 2 lock washers, secure bracket to door, aligning top edge of bracket with top edge of door. (See figure 3)
6. Place and center metal disc on magnet cup. Tape side out (DO NOT PEEL PAPER LINER).
7. Place chime box on top of bracket with magnet cup and metal disc facing door frame header. (see figure 3)
8. Align slots in chime box with slots in bracket. Secure together with 2-#10-24 truss head bolts, 2 plain washers and 2 keps nuts. (see figure 3)
9. Push chime box forward until metal disc comes in contact with header and tighten bolts.
10. Open door, peel paper liner off double coated tape on back of metal disc, exposing adhesive. Be sure area on frame where adhesive will stick is clean!
11. Check again that metal disc is centered on magnet cup. Close door, reach inside chime box and push shaft forward, pressing the metal disc against the frame header. This force will adhere metal disc to frame.
12. Drill center of hole in metal disc and secure with 1-#8 x 3/4 truss head sheet metal screw and lock washer. (See figure 3)
13. Be sure chime box is pushed forward so that magnetic cup is in contact with metal disc. Tighten nuts and bolts in mounting slots.
14. Place 2 feet on lid in slots in back of chime box. Push lid in position and secure with 2-#4 x 3/8 lid screws.
15. Your Door Chime is now ready to operate.

DOOR CHIME

3 YEAR WARRANTY

SPECIAL FEATURES

1. NO BATTERIES
2. NO ELECTRICITY
3. QUICK INSTALLATION
4. DO IT YOURSELF INSTALLATION
5. NO MAINTENANCE
6. SILENCER TO SHUT SOUND OFF
7. COLORS – BRONZE OR LIGHT GREY

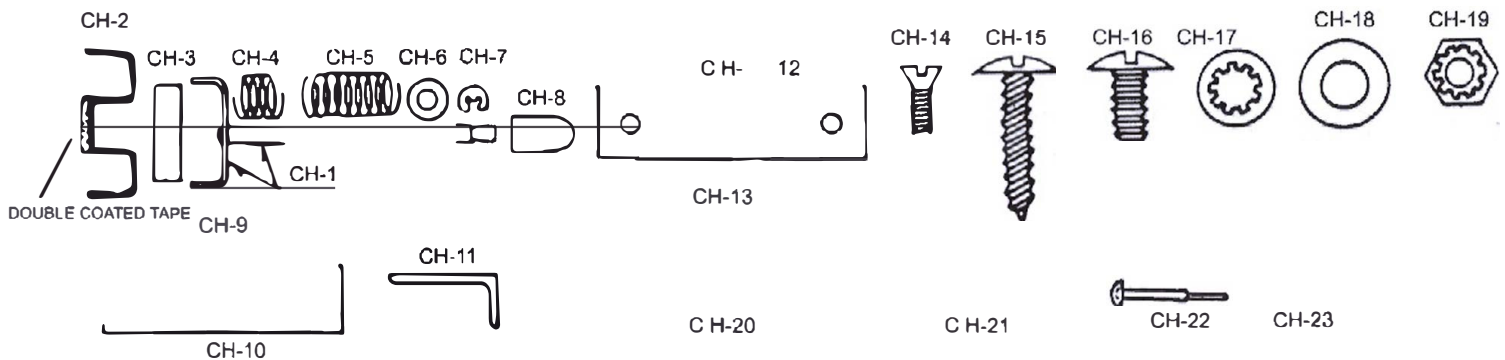


SILENCER
SLIDE SILENCER AS INDICATED
TO SHUT CHIME OFF AND ON.

PARTS LIST DOOR CHIME

- CH-1 - Shaft and Cup-1, Unit
- CH-2 - Metal Disc.
- CH-3 - Magnet
- CH-4 - Short Spring
- CH-5 - Main Spring "Long"
- CH-6 - #6 Plain Washer
- CH-7 - "E" Spring
- CH-8 - Striker Pin
- CH-9 - Chime Box Lid
- CH-10 - Chime Box
- CH-11 - Bracket
- CH-12 - Sounding Bar

- CH-13 - Sounding Bar Grommet
- CH-14 - #4 x 3/8" Screw for Lid
- CH-15 - #8 x 3/4" Truss Head Metal Screw for Mounting Chime Box and Metal Disc.
- CH-16 - #10-24 x 1/2" Truss Head Bolt
- CH-17 - #10 Lock Washer
- CH-18 - #10 Plain Washer
- CH-19 - #10-24 keps Nut
- CH-20 - Drill Bit #29
- CH-21 - Silencer
- CH-22 - Grommet Pin
- CH-23 - Retaining Ring



FULL SIZE DETAIL-SCRE

WASHERS AND NUTS ONLY

