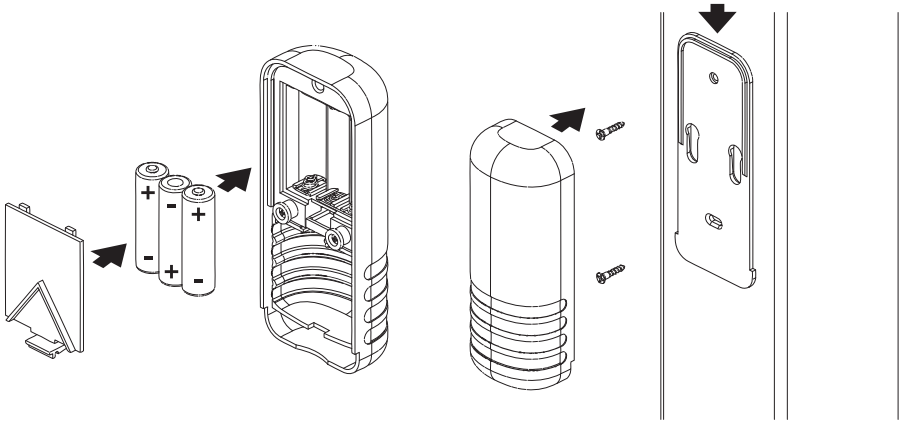


DO NOT PRINT GREEN 375 DIE LINES.
DIE LINES ARE FOR DIE CUTTING ONLY!

Deck Marker Light

Installation Instructions



Battery Installation

- Remove mounting plate by sliding down and lifting off keyhole posts
- Remove battery cover by pressing up on tab and lifting out
- Insert 3 AA alkaline batteries (not included).
- **Note:** Be sure batteries are orientated properly. Markings for + / - are engraved in the battery compartment.

* Typical battery life of 1 year running
12 hours a night on alkaline batteries

Mounting Deck Marker Light

- Install mounting plate in desired location using screws or double-sided tape (included).
- **Note:** For double-sided tape, surface must be clean and free of dirt or residue that may prevent adhesion.
- Install front cover by lining up keyholes and sliding unit down to align with back plate.

Xodus Innovations, LLC
2025 Yore Avenue
Benton Harbor, MI 49022
www.xodusinnovations.com
Made in China



Model # BL600
1 year limited warranty
Patent # 6,992,591