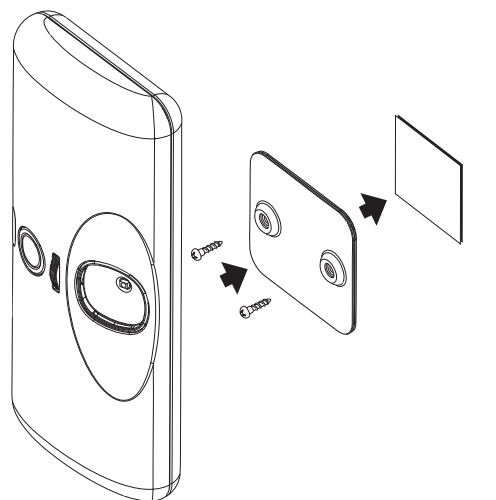
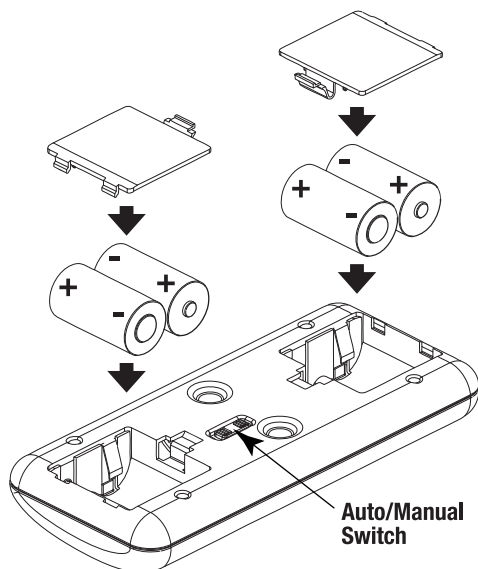


In Cabinet Light

Installation Instructions



Battery Installation

- Remove magnetic mounting plate by lifting off unit
- Remove battery covers by pressing on tabs and lifting out
- Insert 4 "C" alkaline batteries (not included).
- **Note:** Be sure batteries are orientated properly. Markings for + / - are engraved in the battery compartment
- Reinstall battery cover
- To disable automatic operation, slide Auto/Manual switch to the Manual position

Mounting In Cabinet Light

- Install mounting plate in desired location using screws or double-sided tape (included).
- **Note:** For double-sided tape, surface must be clean and free of dirt or residue that may prevent adhesion.
- Mount unit by lining up guide tabs. Magnets will hold unit to mounting plate and allow for easy battery replacement.

Xodus Innovations, LLC
2025 Yore Avenue
Benton Harbor, MI 49022
www.xodusinnovations.com
Made in China



Model # BL200
1 year limited warranty
Patent # 6,992,591
Additional patents pending