

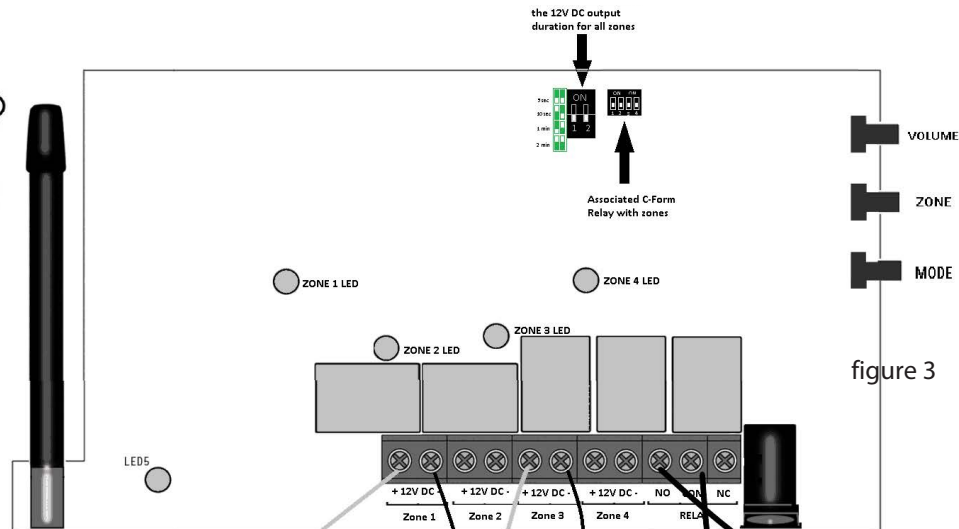
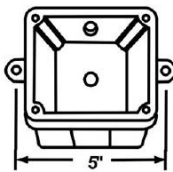
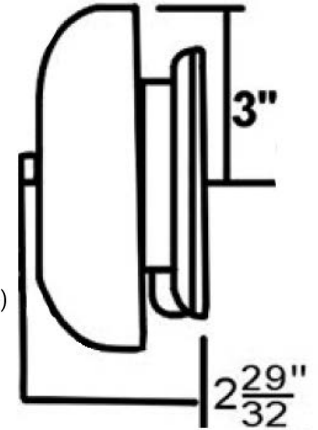
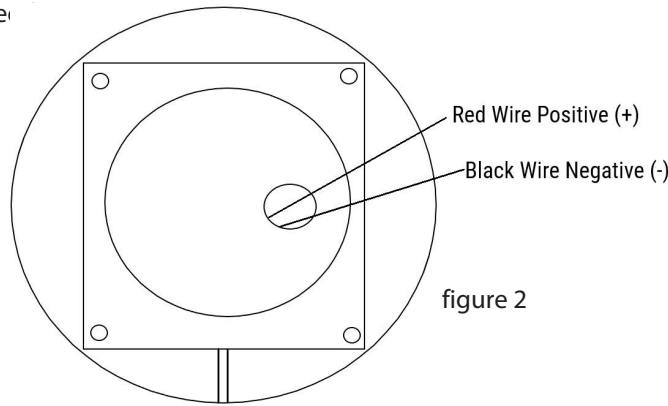
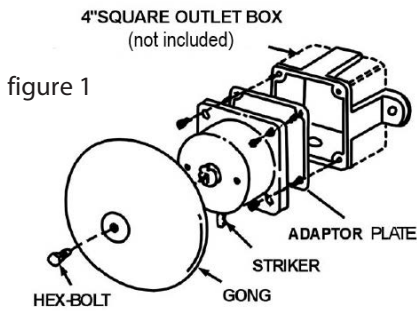
SS-FIREBELL-12V Owner's Manual

The 12V fire alarm bells sold by Safeguard Supply are meant to be used as signaling devices in conjunction with the ERA-DCRX desktop chime receiver. This device is not intended to be connected to alarm indicating circuits of UL listed fire alarm control panels. Although the device may be used for other purposes, Safeguard Supply markets this product as an accessory to our chime receivers.

- Features:**
- 12V DC
 - Iron base
 - Operating voltage limit: 9-16V
 - Maximum current: 50mA
 - Operating temp: 14F-131F
 - Outdoor rated
 - Approximately 90 dBA

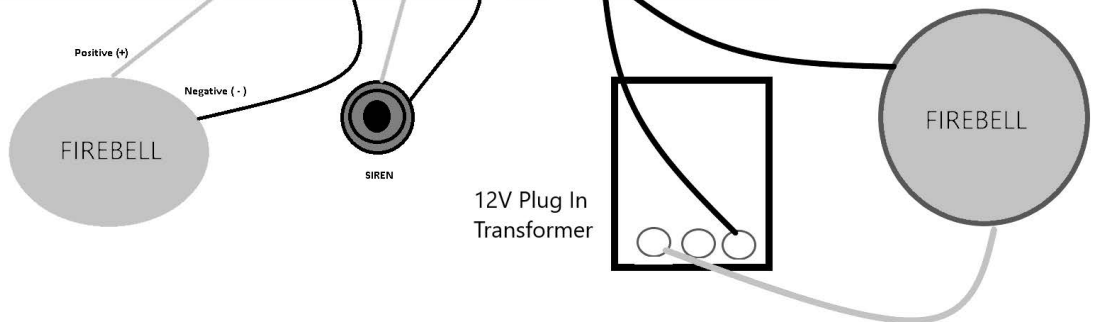
Mounting the Fire Bell:

- Use included wrench to remove hex bolt on top of the bell cover and take out the bolt.
- Remove the bell cover from the base to access wiring and mounting holes (see figure 1).
- Mount the unit.
- Wire the circuit and observe polarity (see figure 3).
- Replace the bell cover. (see figure 1)
- Secure the cover using the hex bolt.



Wire to Receiver

Figure 3 shows a sample configuration of this fire bell to the 12V DC output of the ERA-DCRX receiver. Please consult the receiver's manual for receiver settings.



WARRANTY

Safeguard Supply warrants this product to be free of defects in material and workmanship for a period of one year from the date of purchase. This warranty does not cover damage resulting from accident, abuse, act of God or improper operation. If this product does become defective, simply return it to Safeguard Supply. Please include a note describing the troubles along with your name and return address as well as the original sales receipt. If the product is covered under warranty it will be repaired or replaced at no charge. If it is not covered by warranty, you will be notified of any charges before work is done.