



**ALARM LOCK**

345 Bayview Avenue  
Amityville, New York 11701  
For Sales and Repairs 1-800-ALA-LOCK  
For Technical Service 1-800-645-9440  
© ALARM LOCK 2003

# LEKTROLOK--MODELS 103 & 104RA DEADBOLT ELECTRIC LOCKS INSTALLATION INSTRUCTIONS

WI1192 4/03

The LEKTROLOK Models 103 and 104RA Deadbolt Electric Locks are compact units designed to fit narrow stile doors. Both models come complete with "keepers" (deadbolt holes) which make it simple to install on all types of doors or windows including single, pairs, double acting or overhead, either in-swinging or out-swinging. When the lock is aligned with the keeper, the deadbolt projects into the keeper thus locking the door. The deadbolt is retracted (and the door unlocked) by means of a remote switch, a key switch, time programmer or other electrical contact which interrupts the power. Both models are ideally suited to programmed locking and unlocking of laundromats, lobby doors, or other unattended areas. Use of a lighted push button switch at the door (Alarm Lock Model 191) assures that

people inside the building can exit after lock-up time; the door will relock automatically after exit. May be wired with smoke detectors and/or fire alarm systems for automatic unlocking in a fire emergency.

### MODELS AVAILABLE

Model 103 is a standard "fail safe" unit which projects the deadbolt only while power is "on". When the power is off, the deadbolt retracts. Model 104RA ("Reverse Action") unlike the standard unit is "fail secure" and will project the deadbolt only when the power is "off". When the power is "on", the deadbolt retracts.



**ANGLED KEEPER**



**LEKTROLOK--MODEL 103/104RA  
ELECTRIC DEADBOLT**



**FLUSH KEEPER**

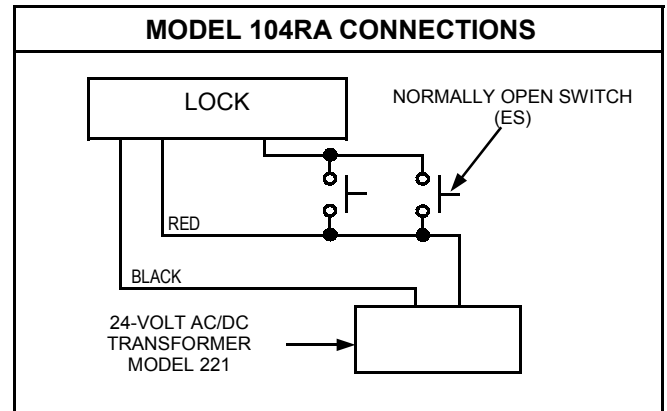
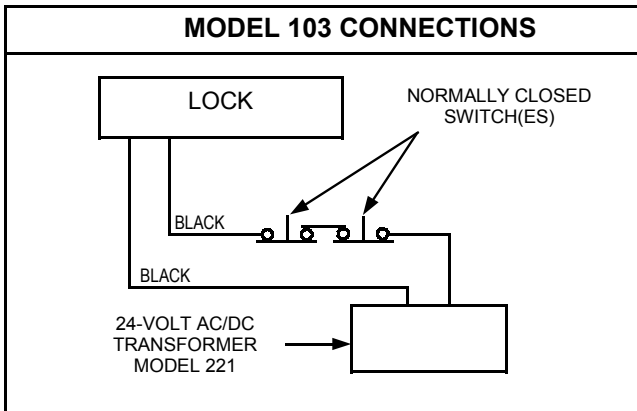


**MORTISE KEEPER. INSTALLED FLUSH  
(INSIDE THE DOOR FRAME). FOR USE  
WITH WOOD DOOR FRAMES ONLY.**

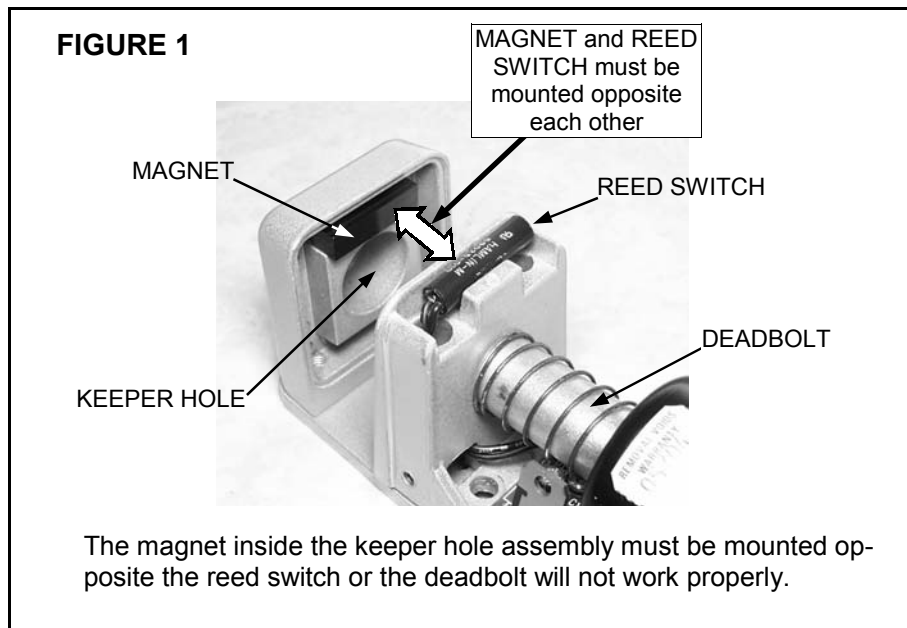
# INSTALLATION INSTRUCTIONS

**Note:** The deadbolt will not project unless the magnet is opposite the reed switch. The template supplied serves the majority of installations. If your installation is different, always maintain a 1/8" gap between the face of the lock and the keeper. The lock should be mounted on the door frame (rather than the door) for ease of wiring. If installing the lock with the plunger facing down, see special installation instructions on the next page.

Before mounting the lock, provide for the electric wires to the lock. After the lock and keeper are installed, place the magnet onto the keeper slot which faces the reed switch in the lock as shown in figure 1. After the magnet is in place, affix the aluminum plate into the keeper recess.



Follow the above schematics for one or more switches as required. **Note:** Model 103 requires switches to be installed in *series*. It is normally energized and normally runs hot to the touch. Model 104RA Reverse Action requires switches to be installed in *parallel*.



## SPECIFICATIONS

**DIMENSIONS:** 1 $\frac{3}{4}$ " W x 6 $\frac{3}{4}$ " L (including keeper). Bolt diameter is 5/8" and projects 5/8".

**FINISH:** Lock and keeper--painted aluminum.

**WEIGHT:** 3 lbs., including keepers.

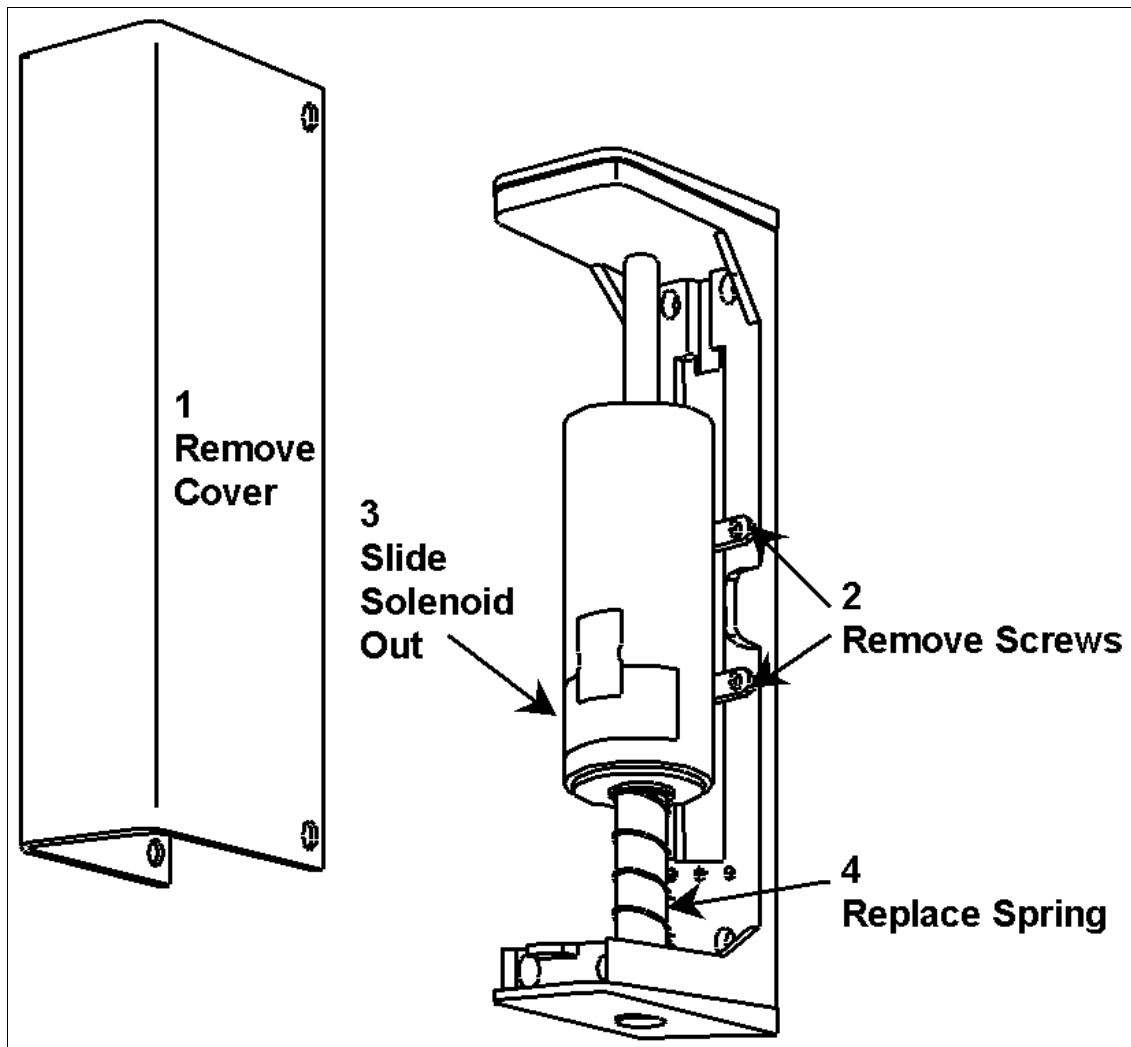
**POWER REQUIREMENTS:** 600mA@24VAC or VDC (103). 12V version available a extra cost.

**LOCKING BOLT:** Actuated by a continuous-duty solenoid.

## WHEN INSTALLING THE LOCK WITH PLUNGER FACING DOWN

When installing the lock in a vertical position with the plunger facing down, we suggest replacing the colored spring (7 coils) with a stronger one (not colored, 5 coils) included in the box. To replace the spring, refer to the diagram below and replace it as follows:

1. Remove the lock cover.
2. Remove the screws holding the solenoid to the base.
3. Slide the solenoid out of the base.
4. Remove the colored spring (7 coils) and replace it with the spring (not colored, 5 coils) included in the box.
5. Slide the solenoid back into the base.
6. Fasten and tighten the screws holding the solenoid to the base.
7. Fasten the lock cover.



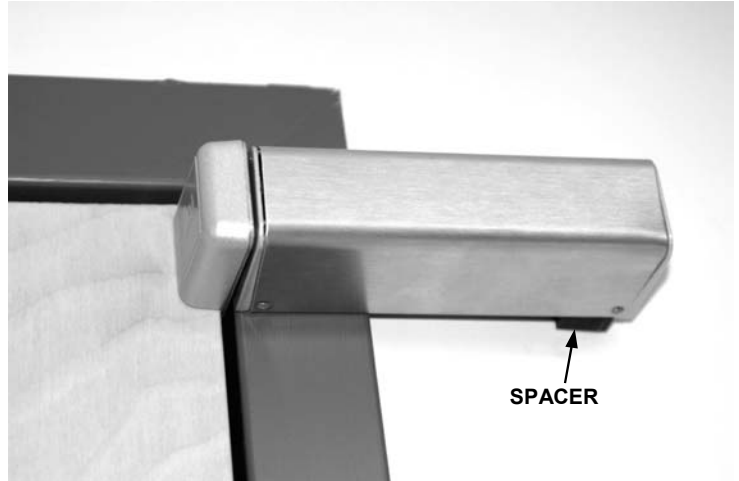
Replacing the spring on Model 103/104 Lock

# APPLICATION EXAMPLES

Mount lock on door frame (rather than the door) for ease of wiring. Examples are shown below:



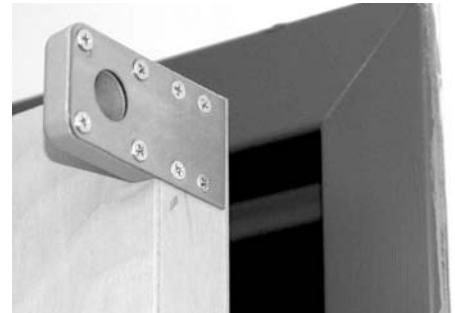
**OUTSWINGING VERTICAL INSTALLATION.  
DEADBOLT ON FRAME,  
ANGLED KEEPER ON DOOR**



**INSWINGING HORIZONTAL INSTALLATION.  
DEADBOLT ON FRAME (WITH SPACER) AND A FLUSH KEEPER  
SCREWED INTO DOOR (SEE BELOW IMAGE).**



**MORTISE KEEPER. MAGNET IS MORTISED  
(EMBEDDED) INSIDE THE DOOR FRAME AND  
KEEPER IS INSTALLED FLUSH. FOR USE WITH  
WOOD DOOR FRAMES ONLY. (METAL FRAMES  
WILL DISSIPATE MAGNET STRENGTH).**



**SEE ABOVE IMAGE  
INSTALL KEEPER BEFORE DEADBOLT.**



**INSWINGING VERTICAL INSTALLATION.  
DEADBOLT ON FRAME  
FLUSH KEEPER ATTACHED TO TOP  
EDGE OF DOOR**



**INSWINGING HORIZONTAL  
INSTALLATION NEAR FLOOR**